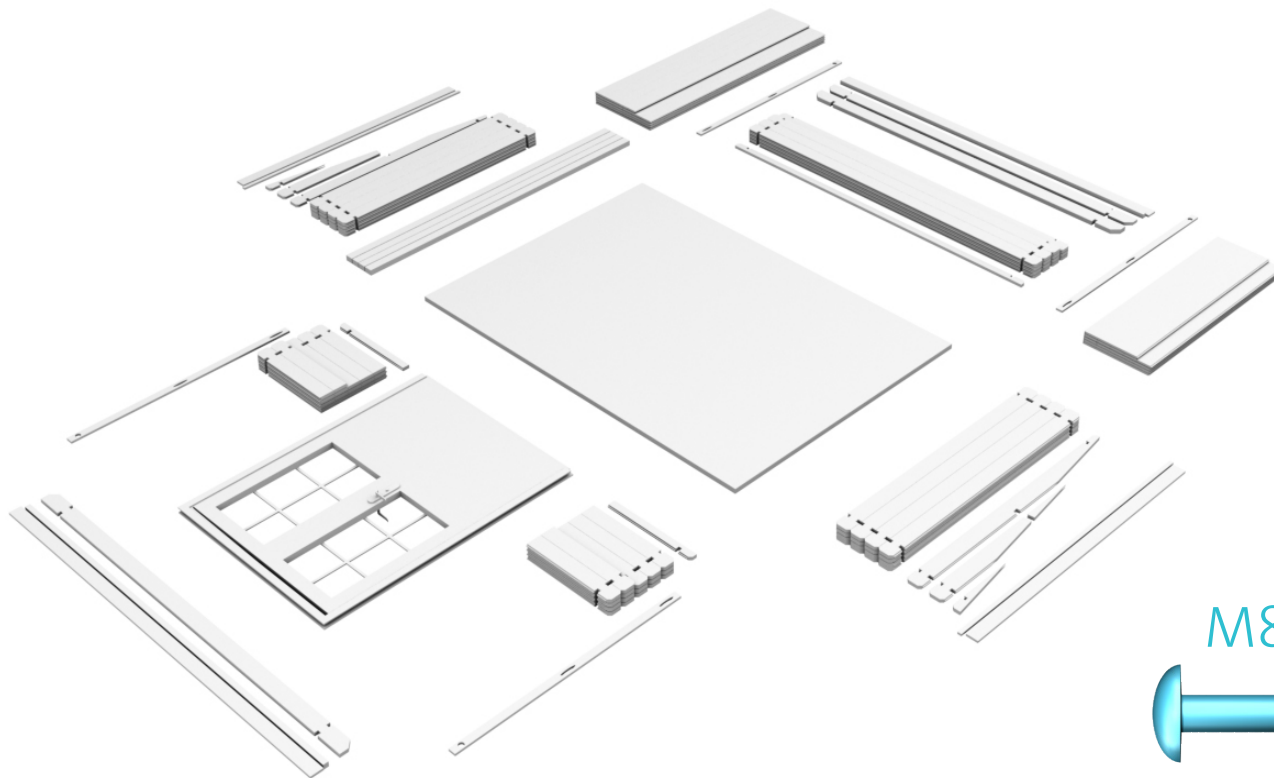
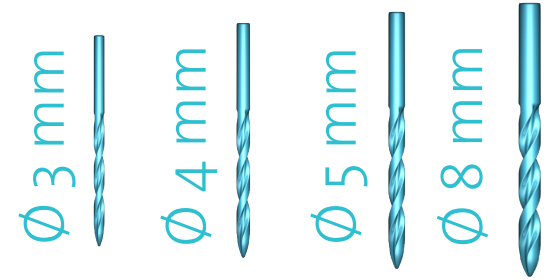
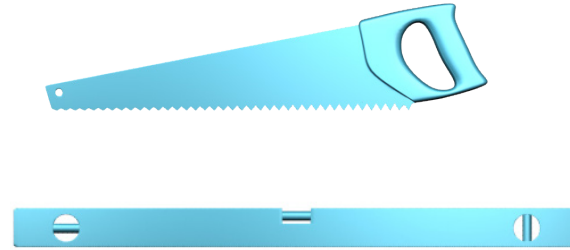
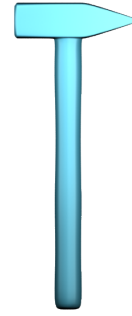
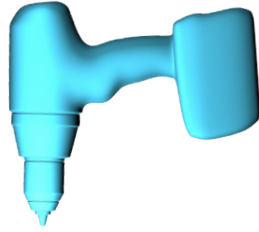
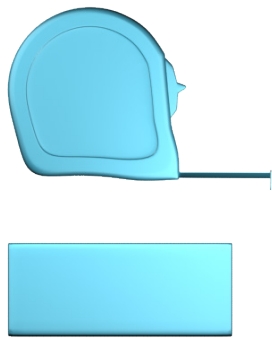


PREPARE THE GROUND, UNWRAP THE PACKAGE,
LAY OUT THE COMPONENTS, FIND THE TOOLS.

ANNIKA I 28



4x40 × 60

4x50 × 295

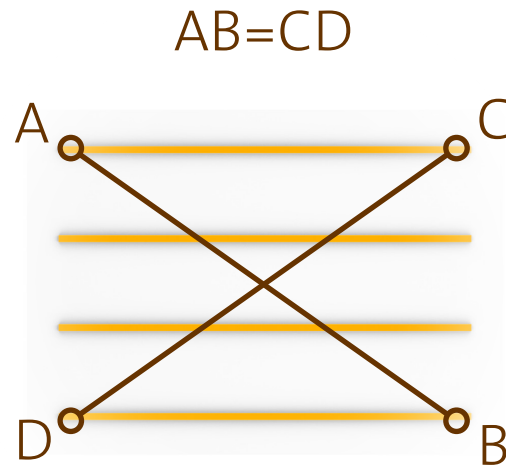
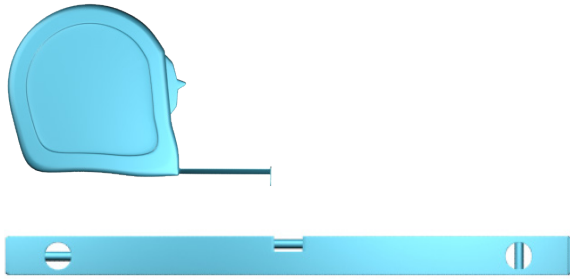
5x70 × 15

6x140 × 25

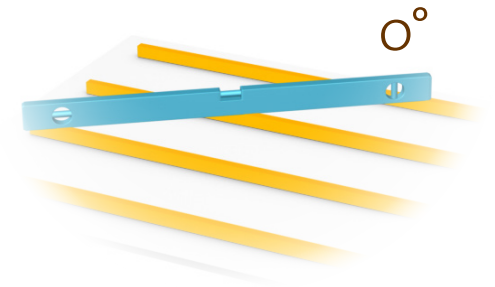
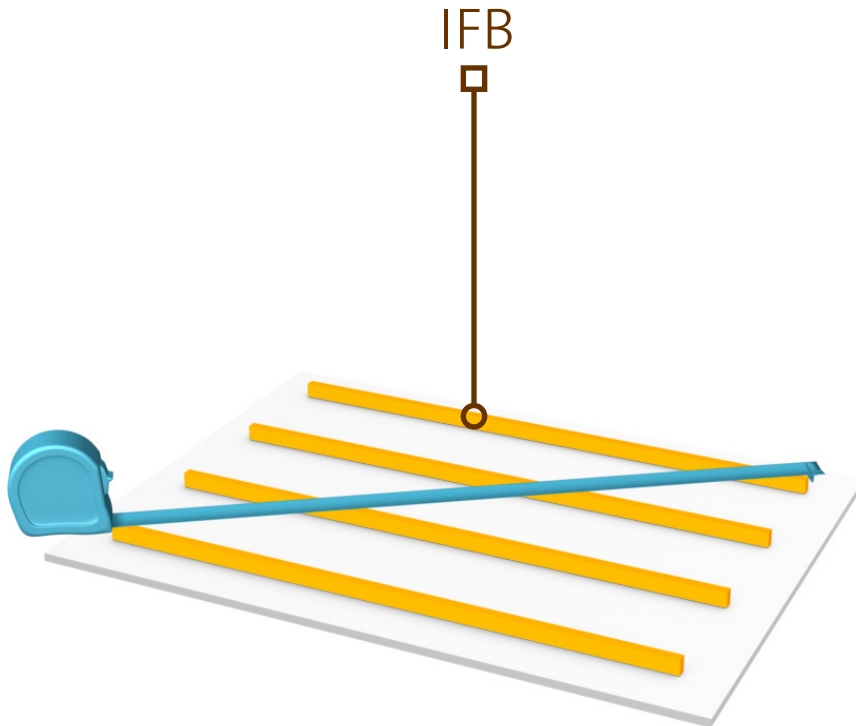
M8x60 × 12

1,4x40 × 20

LAY OUT THE FOUNDATION BEAMS AND SQUARE IT BY MEASURING FROM CORNER TO CORNER.



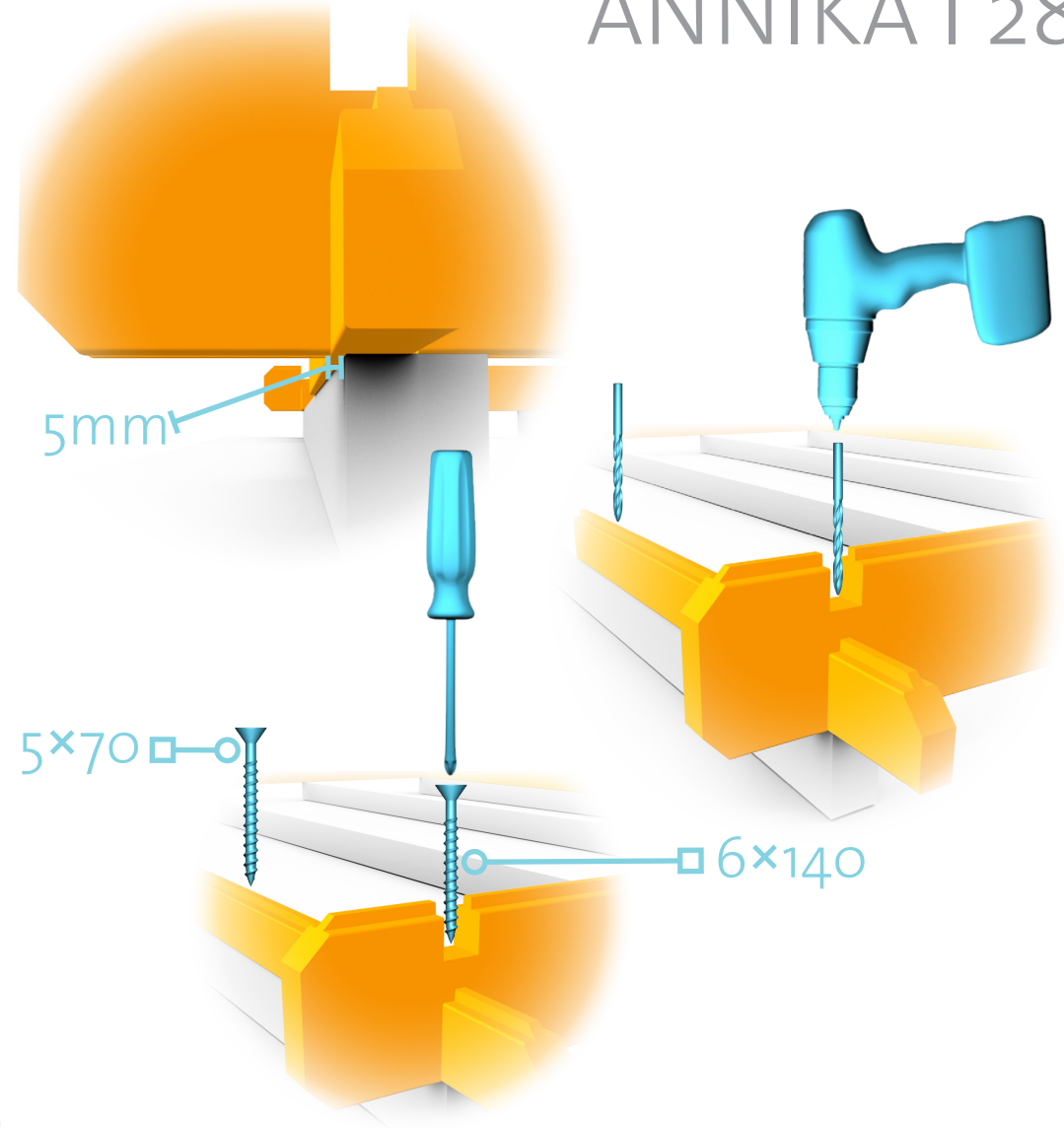
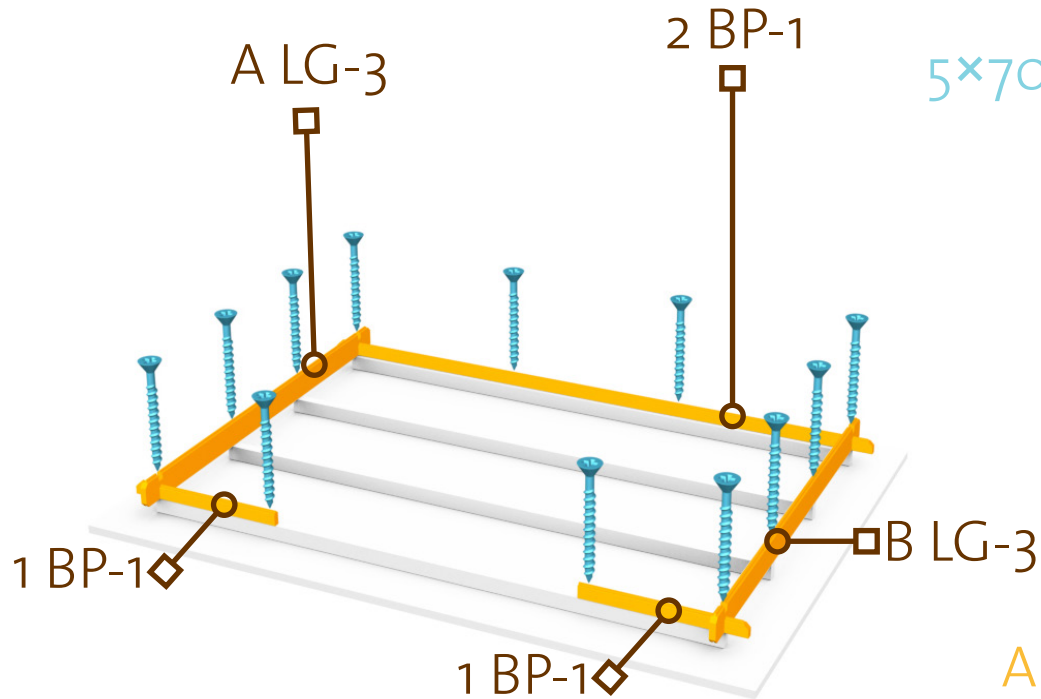
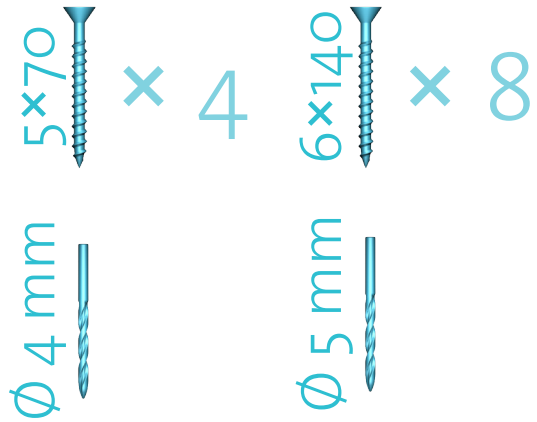
ANNIKA | 28



MAKE SURE THAT THE FOUNDATION IS INSTALLED ON A LEVEL SURFACE. CHECKING ALL DIRECTIONS, INCLUDING CORNER TO CORNER. 3%

LAY OUT THE **BOTTOM** LOGS,
ATTACH TO THE FOUNDATION.

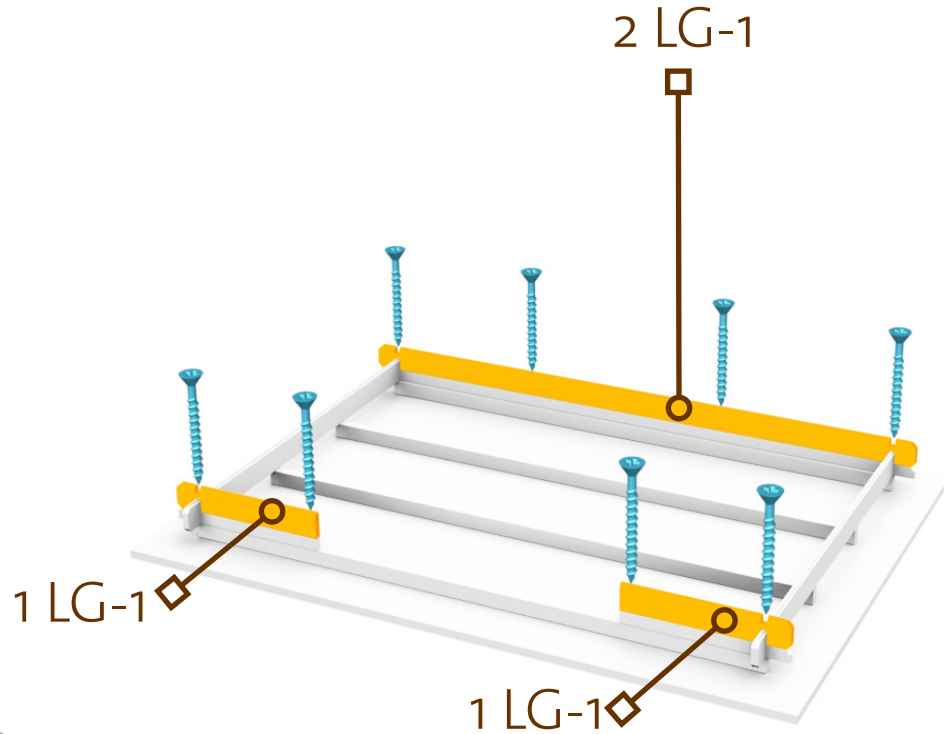
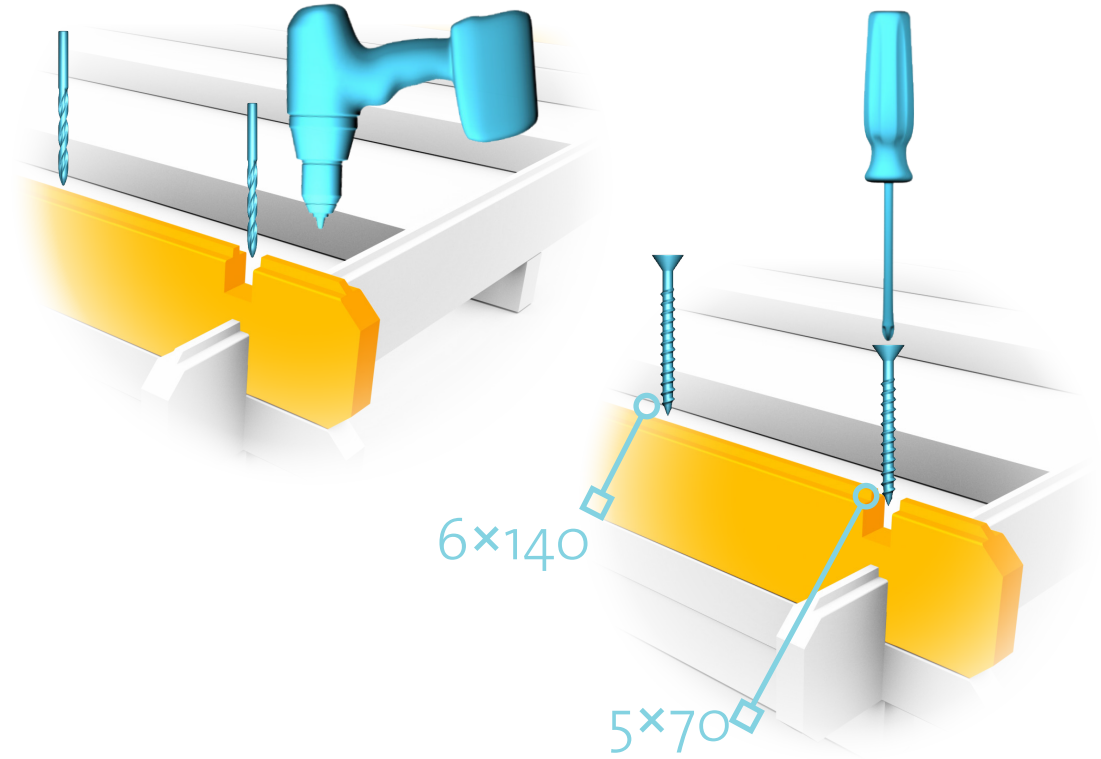
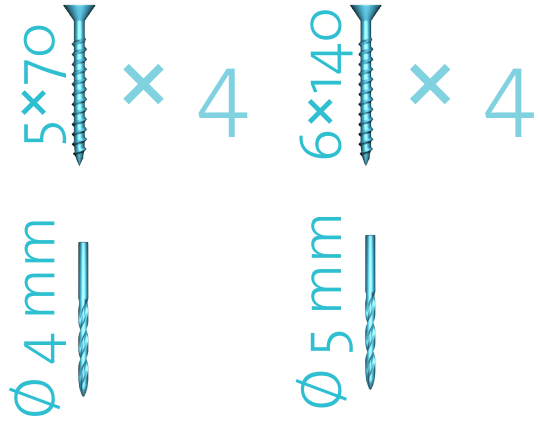
ANNIKA | 28



THE WALL **LOGS** WILL HANG OVER
THE FOUNDATION **BEAMS** BY
APPROXIMATELY 5MM. THIS OVERHANG
IS DESIGNED AS A RAIN DRIP. **5%**

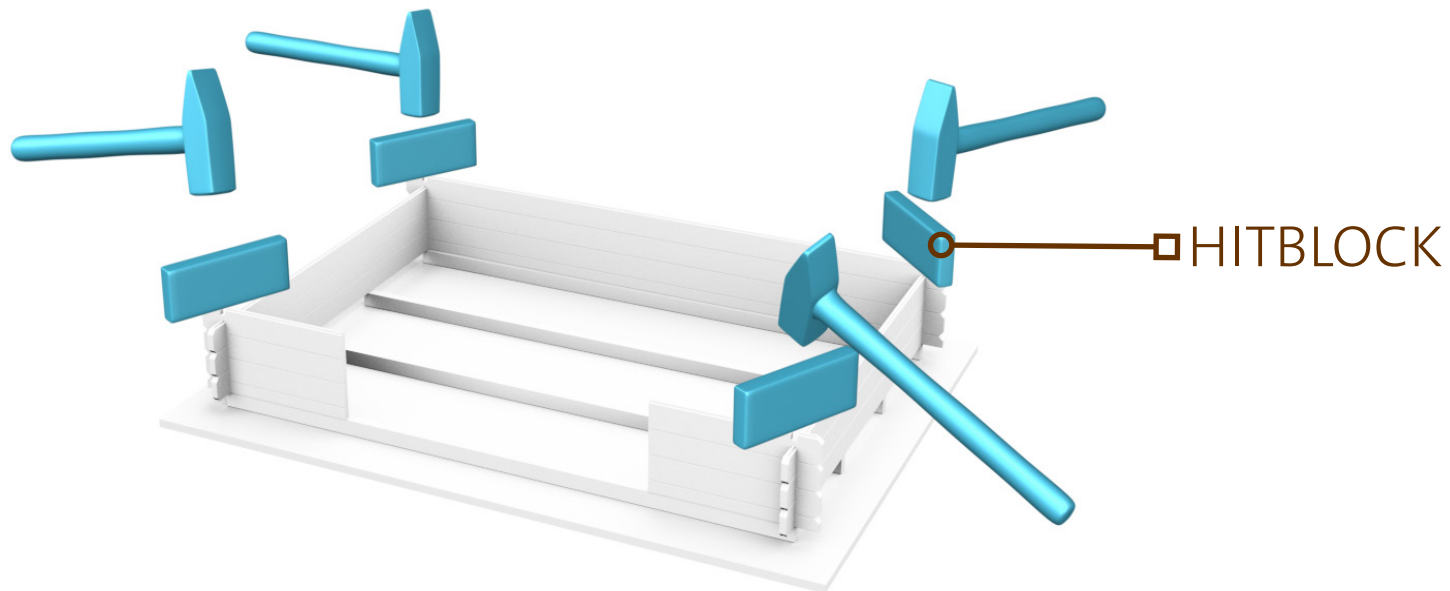
ATTACH THE FIRST ROW OF
WALL LOGS INTO THE BOTTOM
LOGS WITH **SCREWS**.

ANNIKA I 28



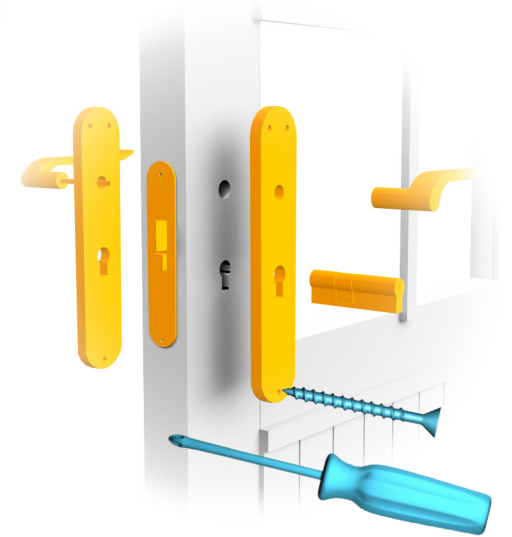
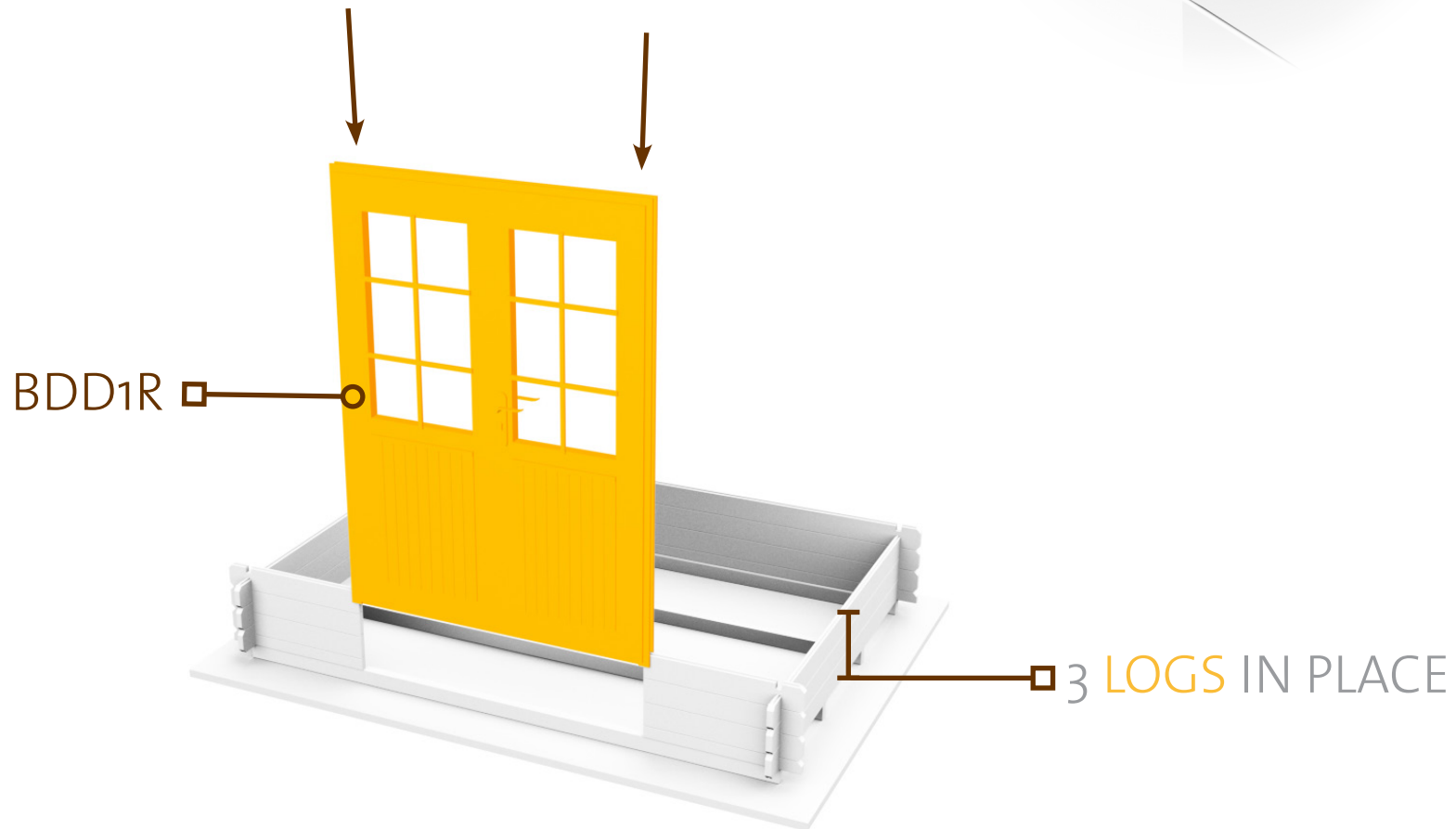
AFTER PLACING 3-4 ROWS OF WALL LOGS, TAP EACH WALL LOG IN PLACE USING A HAMMER AND THE HITBLOCK PROVIDED, TO TIGHTEN THE LOGS.

ANNIKA | 28



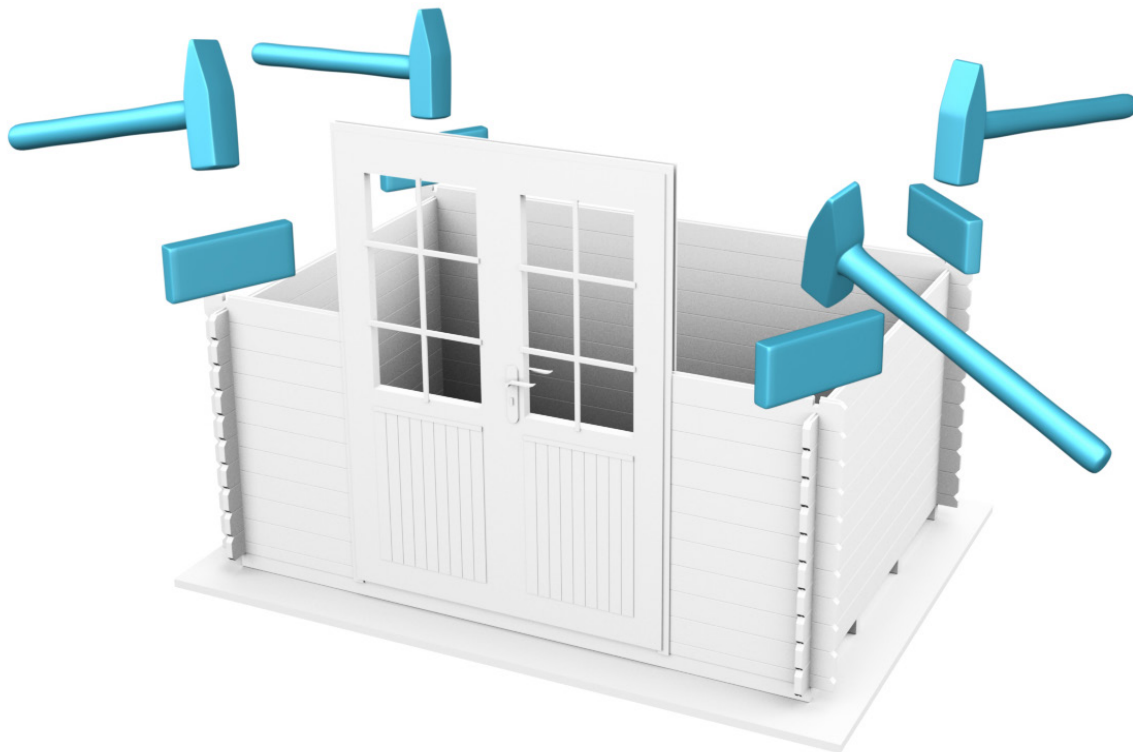
SLIDE THE DOOR IN,
ATTACH THE HANDLE.

ANNIKA | 28



DON`T FORGET TO
TIGHTEN THE LOGS AFTER
EVERY 3-4 ROWS.

ANNIKA | 28

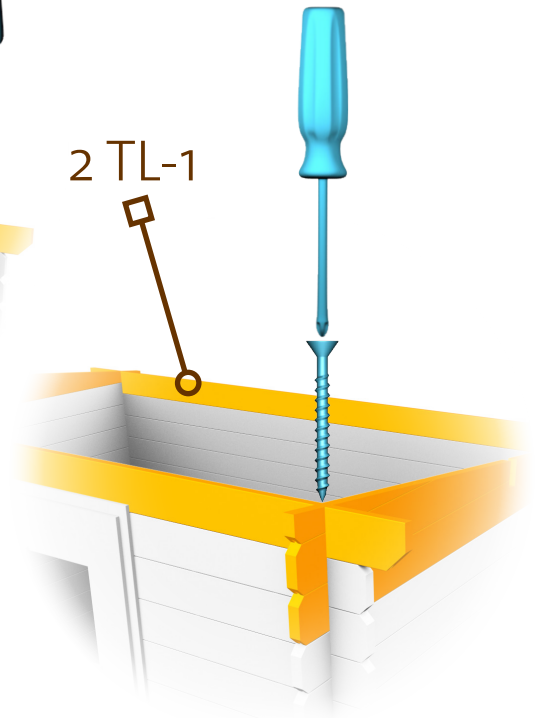
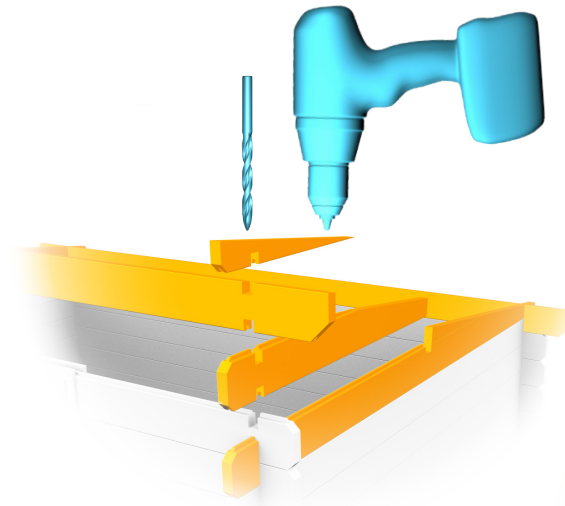
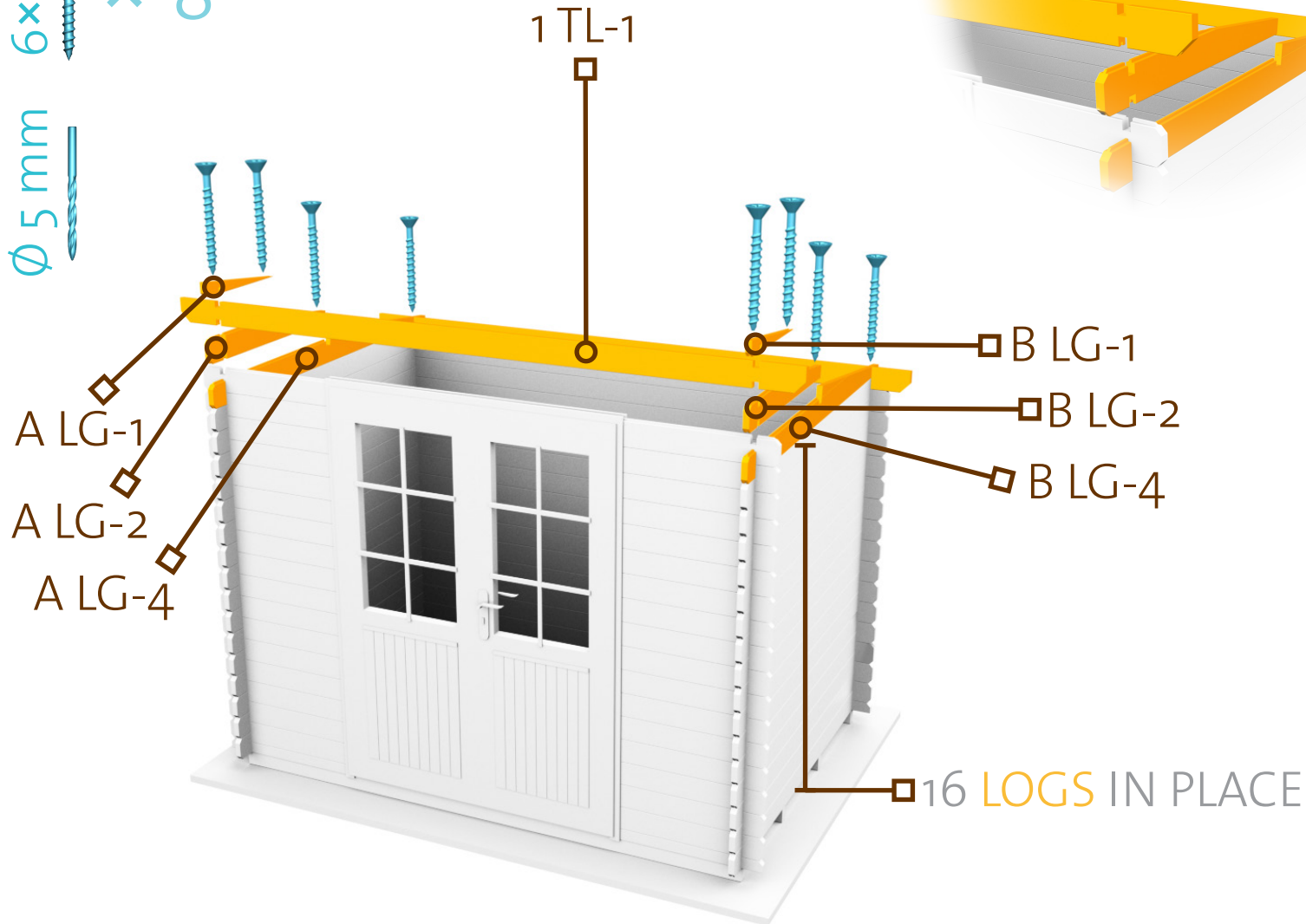


INSTALL THE GABLES WITH LONG SCREWS TO THE WALL LOGS ON THE FRONT AND REAR WALLS.

ANNIKA I 28

6x140 × 8

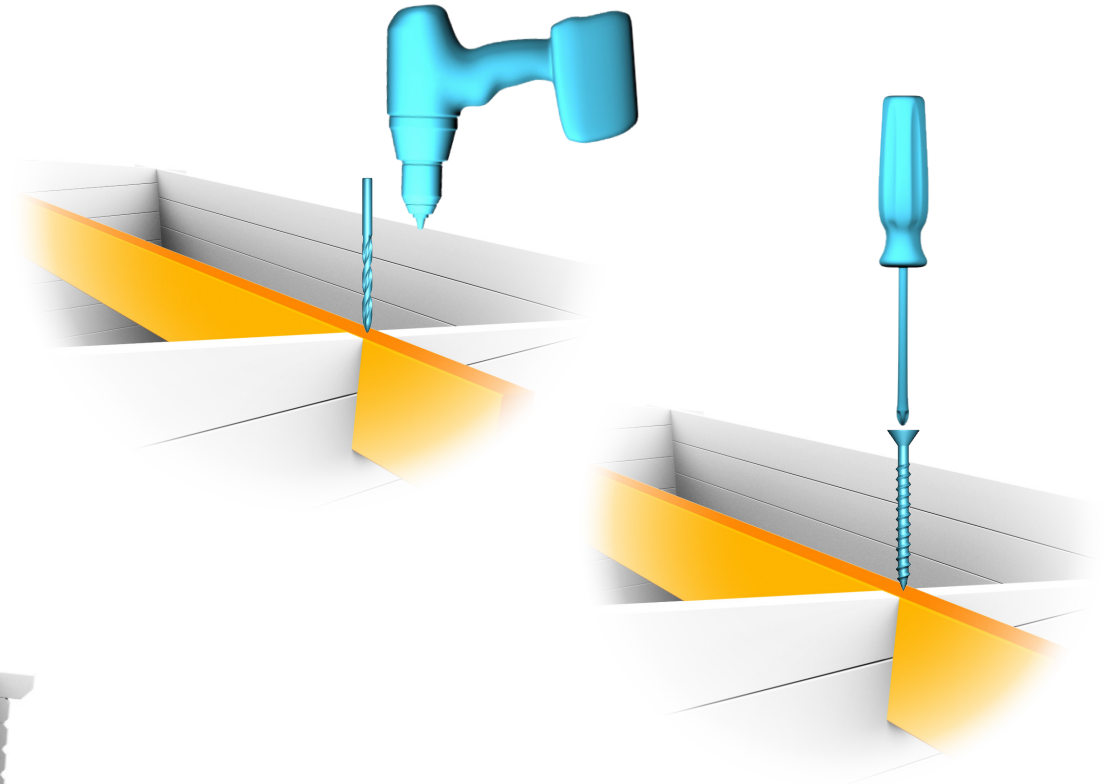
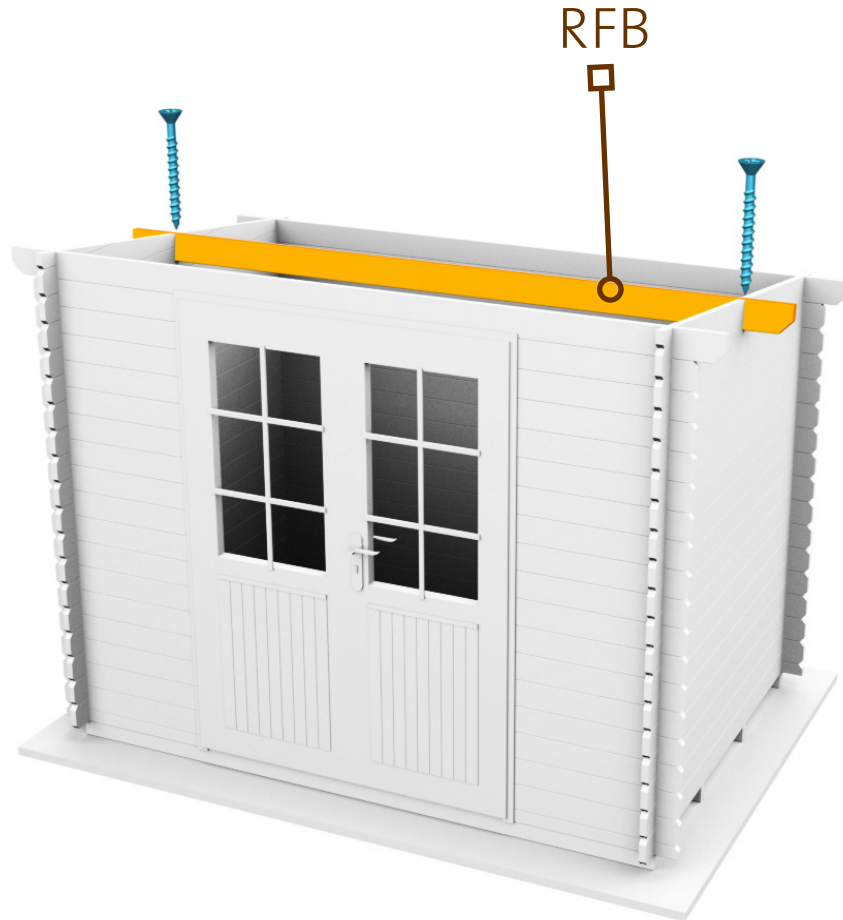
Ø 5 mm



INSTALL THE ROOF PURLINS AND ATTACH THEM WITH SCREWS.


ANNIKA I 28

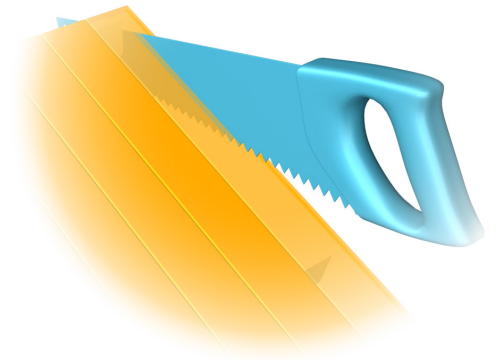
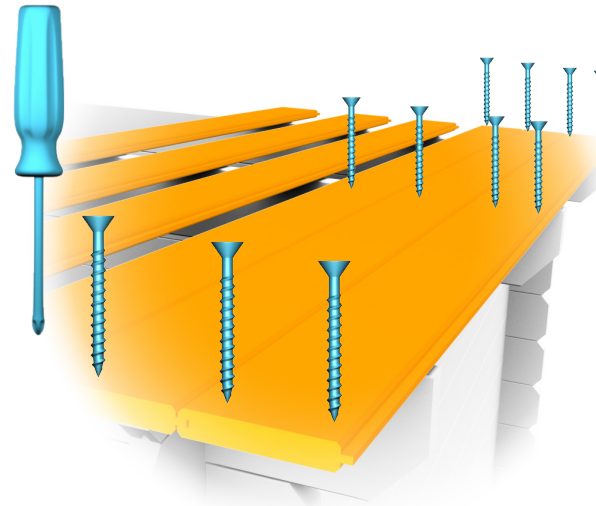
6x140 × 2
Ø 5 mm



PLACE THE FIRST **ROOFBOARD** FLUSH WITH THE
END OF THE **PURLINS** AND ATTACH
WITH 6 SCREWS, 3 INTO **EACH** NEXT,
SAW THE LAST **BOARD** TO MAKE IT FIT.

ANNIKA | 28

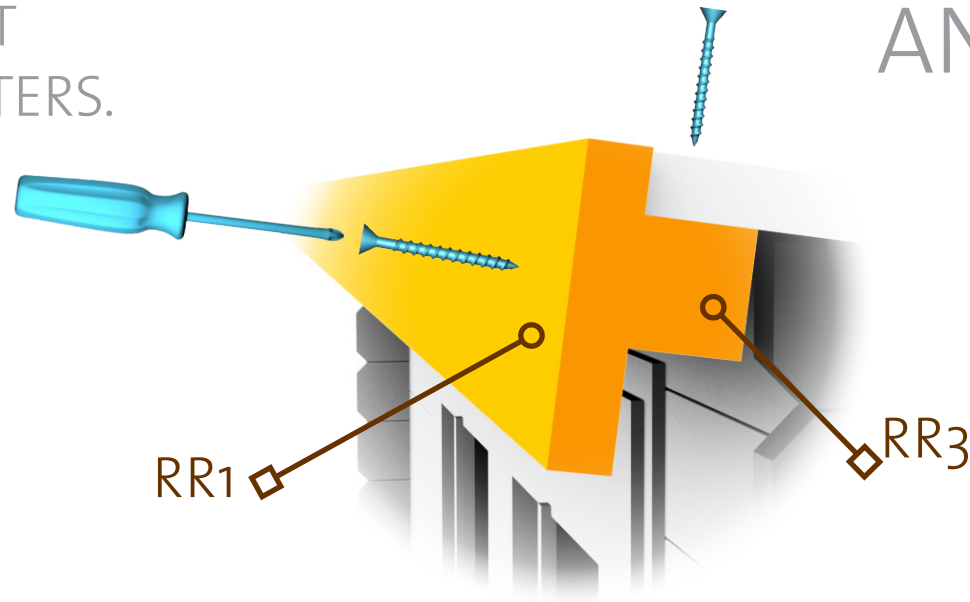
4x50  × 93



FOR THE FASCIA TRIMS INSERT
SCREWS AFTER EVERY 0,5 METERS.

ANNIKA I 28

4x40
× 28



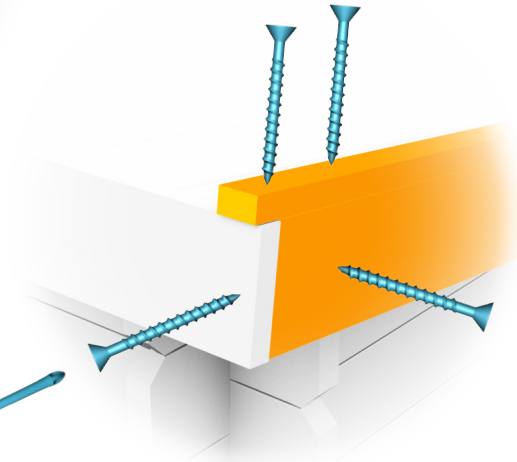
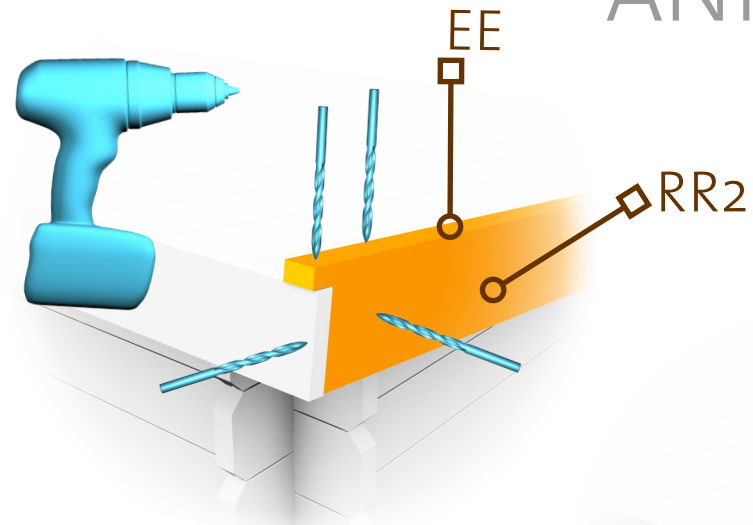
EAVES EDGES GO ON TOP OF THE ROOFING*.

*(NOT INCLUDED)

ANNIKA I 28

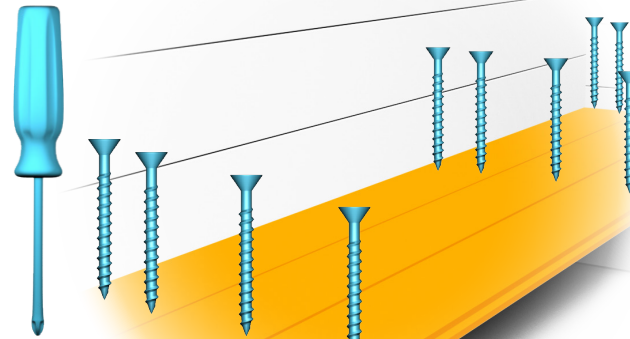
4x40 × 20

Ø 3 mm

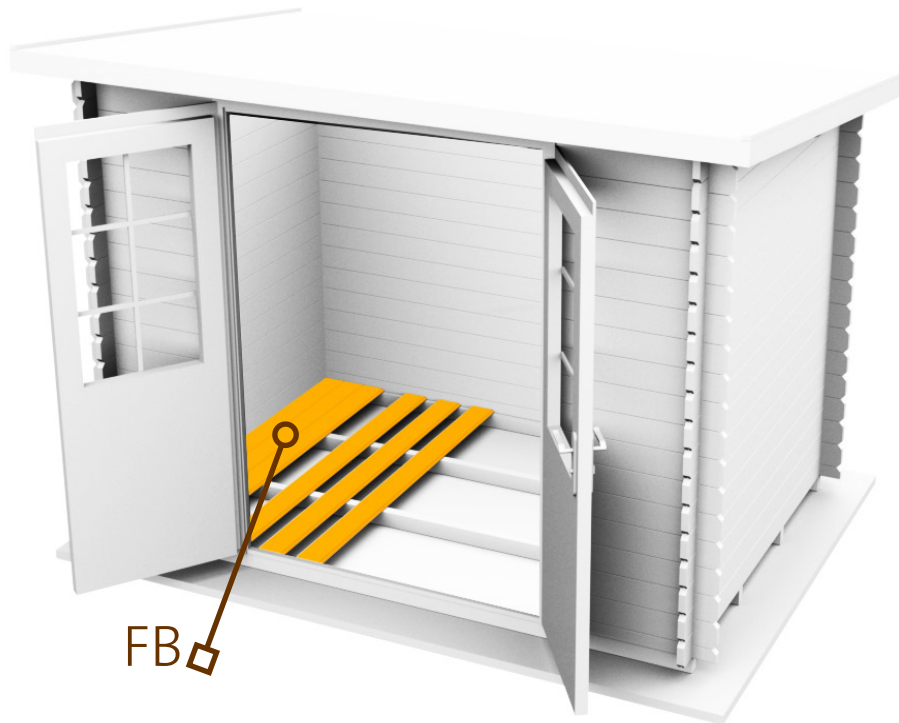
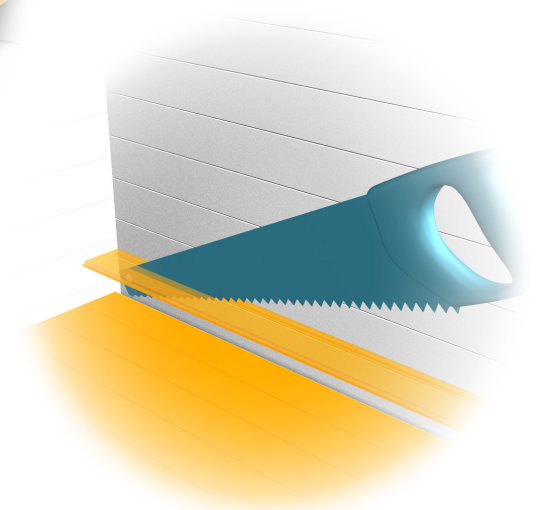


8 SCREWS INTO THE FIRST FLOORBOARD,
4 INTO EACH NEXT, SAW THE
LAST BOARD TO MAKE IT FIT.

4x50
× 104

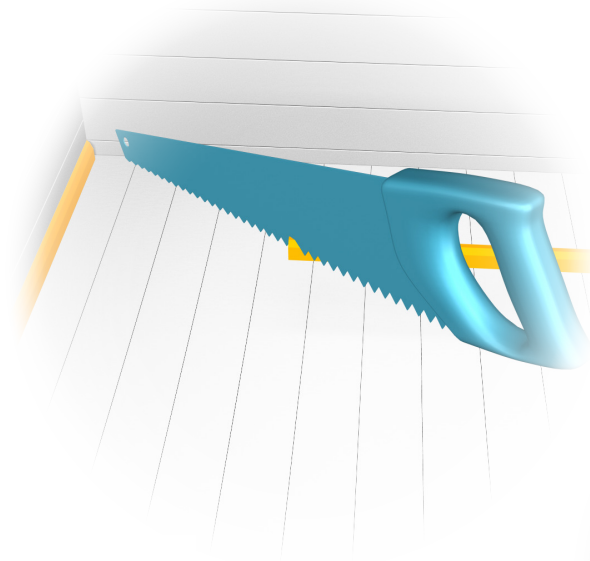


ANNIKA I 28

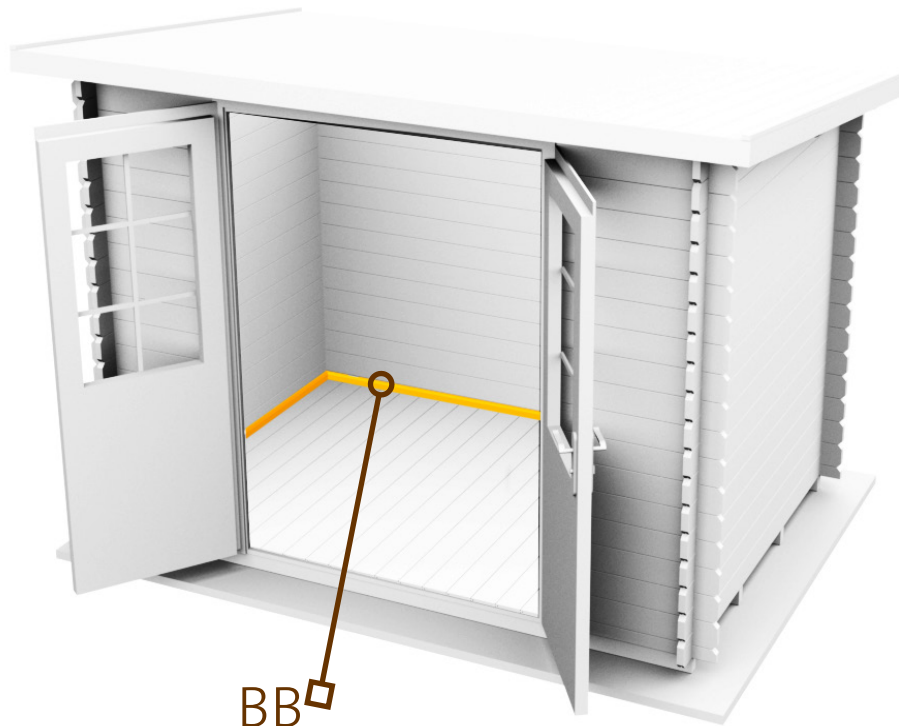


SAW THE **BASEBOARDS**
AND ATTACH WITH NAILS
AT **EVERY 0,5** METERS.

1,4×40
× 20



ANNIKA I 28

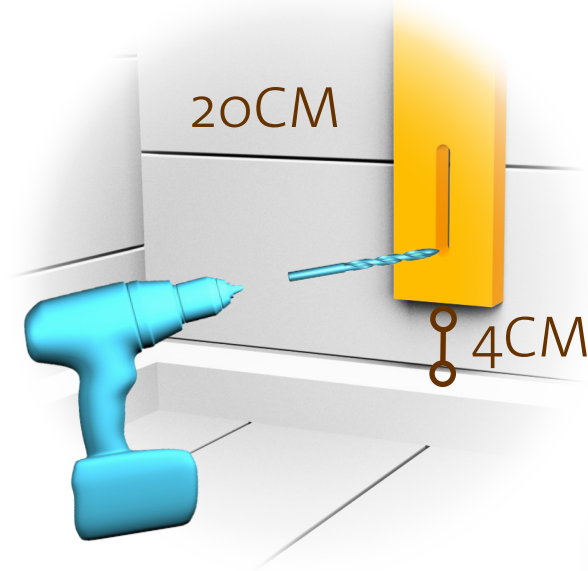


BB

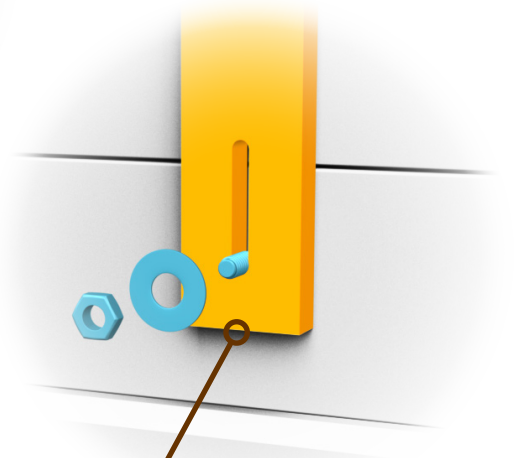
DRILL THROUGH THE WALL, HOLE MUST BE AT THE BOTTOM OF THE OVAL, ATTACH WITH BOLT.

M8x60 × 12

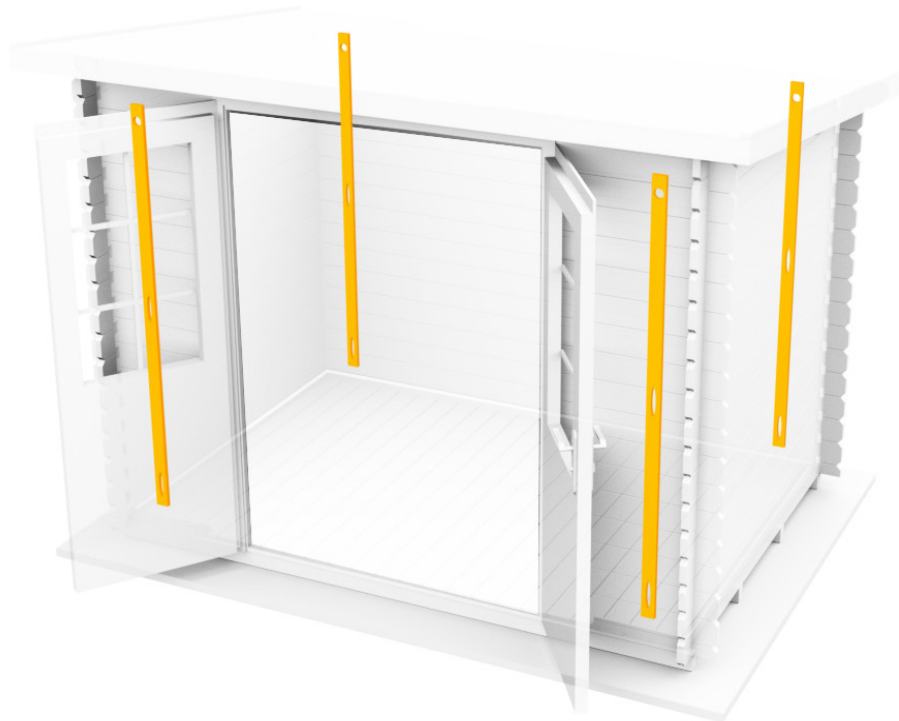
Ø 8 mm



ANNIKA I 28

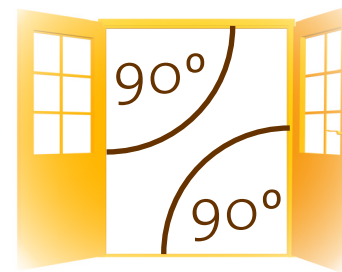
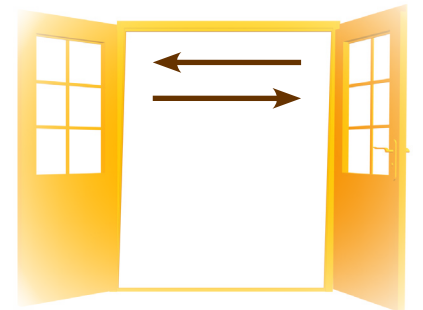


WINDBOARD



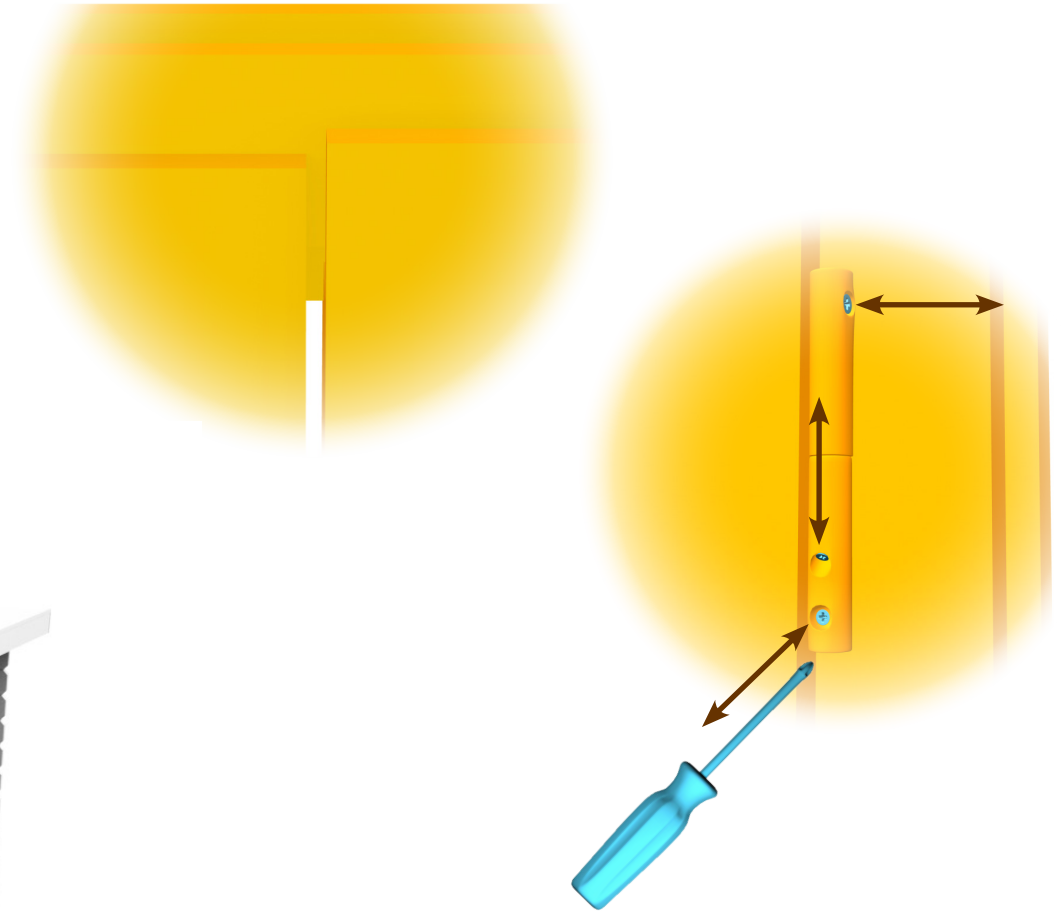
IF DOOR IS TILTED,
PUSH THE DOOR FRAME SO
THAT ALL CORNERS ARE 90°.

ANNIKA | 28



IF **DOORS** ARE IN DIFFERENT HEIGHTS
OR THERE IS A GAP **BETWEEN** THEM,
ADJUST 3 SCREWS ON DOOR HINGES.

ANNIKA | 28



WHEN THE **HOUSE** IS ASSEMBLED, YOU SHOULD **COVER** THE TIMBER WITH **WOOD** PROTECTIVE SEAL, PAINT OR **STAIN** AS SOON AS POSSIBLE TO AVOID DETERIORATION TO THE **WOOD**.

ANNIKA I 28

